

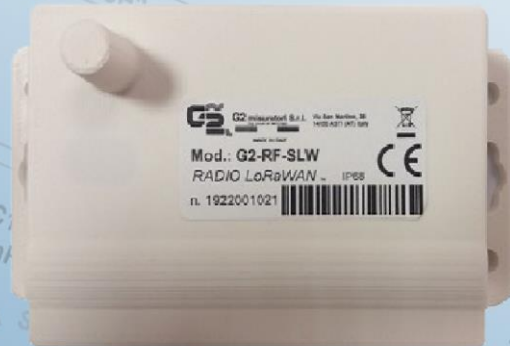


Made in
ITALY

SMART READING

Mod. G2-RF-SLW for fixed network on LoRaWan protocol and LoRa for Walk-by / Drive- by

FREQUENZA 868 Mhz
PROTOCOLLI:
LORAWAN PER RETE FISSA
LORA PER WALK-BY - DRIVE BY
W-MBUS OMS PER WALK-BY - DRIVE-BY



Contatore L. Imp. Canale B

Contatore L. Imp. Canale A

Mod. G2-RF-WMB 868Mhz with W-Mbus for Walk- by/Drive-by

Radio modules 868 Mhz radio frequency, transmission protocols LoRaWAN-LoRa and W-Mbus OMS, with option to collect and transmit data from 1 or 2 water meters

Radio Module Mod. G2-RF-SLW with LoRaWAN protocol for fixed network and LoRa for Walk-by/Drive-by
Radio Module Mod. G2-RF-WMB. 868 Mhz radio frequency con protocollo W-Mbus OMS per Walk-by/Drive-by

For indoor and outdoor installations

Data protection by Multi-level cryptography

Configuration data update on fixed network by remote and/or by radio terminal

Transmitted Alarms: mechanical fraud (cable cut and removal), reverse flow, low battery,

IP 67 Protection Rate for indoor and IP 68 Resin coated for outdoor installations

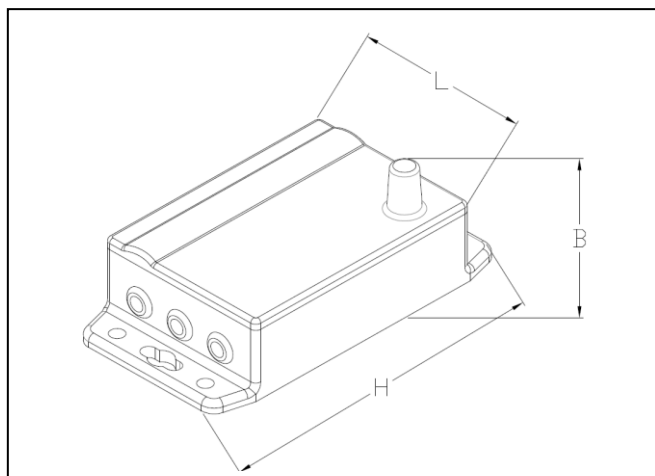
Certification CE, European Directive on electromagnetic compatibility

SMART READING



Technical specifications G2-RF-SLW Model

Data reading from preset water meter	By inductive sensor
Kind of device	Microprocessor device
Battery Life	10 years
Environmental operating conditions	-10 °C ... +55 °C
Radio transmission activation	By instrument in contact with the device
Storage temperature	-20 °C ... +60 °C
Protection Rate	IP 67 IP 68 resin coated
Certification	CE, European Directive on electromagnetic compatibility



Overall Dmensions	
Width L (mm)	60
Thickness B (mm)	43
Height H (mm)	113

Technical Specifications LoRaWAN and Lora protocols

	Fixed Network	Walk-by/Drive-by
Network	868 Mhz. LoRaWAN protocol	868 Mhz LoRa prot. With Owner protocol
Transmitted data	Sensor ID, consumption data, Mechanical fraud (cable cut and removal), reverse flow, low battery,	
Configuration data modification	Possible by remote in fixed network or via Radio terminal	By Radio terminal
Flexibility	Automatically switches between the 2 settings based on programming	
Activation	OTAA-ABP	/
Transmission time interval	1 single reading daily 2 historical transmission daily	Configurable by days and time on week base
Transmission Range	Up to 14 km in optimal environmental conditions	Up to 1km on open pitch or 100 linear meters for installation in manhole with cast iron cover

Technical specifications Wireless M-Bus protocol

	Walk-by/Drive-by
Kind of network	868 Mhz Radio Frequency W-MBus compliant OMS
Transmitted data	Sensor ID, consumption data, Mechanical fraud (cable cut and removal), reverse flow, low battery,
Configuration data modification	Possibile tramite terminale radio
Transmission Range	Up to 500mt in optimal environmental conditions

Continuous development of our products may necessitate changes in details without prior notice— 09/20



G2 misuratori S.r.l. -
Via San Martino, 38 – 14100 ASTI (AT) – ITALY
Tel. +39. 0141.721787– Fax +39.0141.702280
E-mail: info@g2misuratori.it
[Http://www.g2misuratori.it](http://www.g2misuratori.it)



Filiale Centro-Sud
Via Fontanelle, 3 – 00020 RIOFREDDO (RM) – ITALY
Tel. e Fax +39.0774.920216
E-mail: centrosud@g2misuratori.it

**AZIENDA CON SISTEMA
DI GESTIONE QUALITÀ
CERTIFICATO DA DNV GL
= ISO 9001 =**

**AZIENDA CON SISTEMA
DI GESTIONE AMBIENTALE
CERTIFICATO DA DNV GL
= ISO 14001 =**