

# Smoke alarm EASY PROTECT B.One

with LoRaWAN<sup>®</sup>- or wireless M-Bus radio interface  
approved in accordance with DIN EN 14604

The EASY PROTECT B.One smoke alarm was specially developed for use in radio remote reading systems and offers optimum protection. The annual remote inspection via radio saves the annual on-site appointment. The detector's innovative environment monitoring detects objects located within a radius of up to at least 50 cm.



B.  
One

## Performance characteristics in overview

- Optical detection technology with additional thermosensor
- Built-in, non-removable long-life battery with a service-life of 10 years
- Modern design 130 mm in diameter and 40 mm in depth
- Test button for muting false alarms and suppressing non-safety-relevant acoustic error messages for up to 65 hours
- Loud alarm with min. 85 dB (A)
- Event log with all key equipment parameters
- Self-monitoring with error signal
- "Night-time reduction" to lower LED brightness and postpone error messages not relevant to safety; however, error readouts after 24 hours at the latest
- Field of application according to application standard DIN 14676 and approved according to device standard EN 14604
- CE certified to comply with the Construction Products Directive
- LoRaWAN<sup>®</sup>- or wireless M-Bus radio interface for remote inspection
- Comfort function: event-based LoRaWAN telegram when smoke is detected can be activated via downlink (from FW version 2.20)



## Approvals

- Approved for the field of application in accordance with DIN 14676 application standard which regulates the planning, installation, operation and maintenance of the smoke alarm
- Approved in accordance with DIN EN 14604:2005/AC:2008, tested and certified by independent testing institute Kriwan Test Centre with the certification number 1772-CPR-170691
- Awarded the quality label Q, the detector meets the requirements of vfdb-Directive 14-01 (type testing, manufacturing facility monitoring according to AVCP system). Further information on the Q can be found at [www.rauchmelder-lebensretter.de/rauchmelder-leitfaden/rauchmelder-mit-q-im-ueberblick/](http://www.rauchmelder-lebensretter.de/rauchmelder-leitfaden/rauchmelder-mit-q-im-ueberblick/)

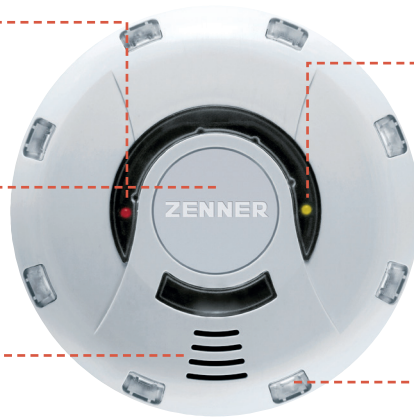
# EASY PROTECT B.One smoke alarm with LoRaWAN® or wireless M-Bus interface

**LED INDICATOR LIGHT (RED)  
WITH NIGHT-TIME REDUCTION**  
shows whether the equipment is functioning

**LED INDICATOR LIGHT (YELLOW)  
WITH NIGHT-TIME REDUCTION**  
For differentiation of error signals

**LARGE TEST BUTTON**  
To test and mute the device

**SIGNAL GENERATOR**  
with min. 85 dB (A)



**ENVIRONMENT/DISTANCE MONITORING**  
Sensor technology for the detection of objects in the environment up to at least 50 cm, which can obstruct smoke penetration

Technical data	LoRaWAN®	wM-Bus
Transmission modes	LoRaWAN®, bidirectional, class A	wireless M-Bus, uni-directional, Mode C1, version 4.0.2
Frequency	868 MHz	868 MHz
Encryption	AES-128	AES-128, encryption mode 5
Transmission interval	daily	180 s*
max. transmission power	25 mW	25 mW

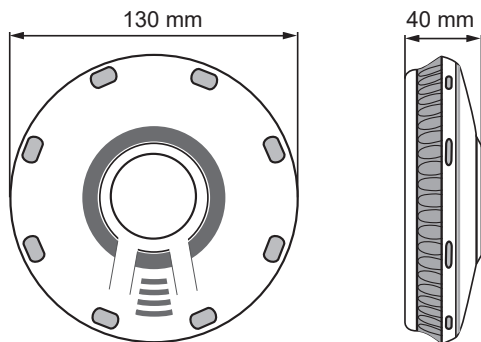
\* After activation, the module transmits for a period of one hour with a quicker transmission interval of 20 s (commissioning scenario).

## Telegram content

- Serial number (wM-Bus) or device ID (LoRaWAN®)
- Error code
- Current device status
- Device status from the day before including a timestamp
- 15 status-previous month's value (for wM-Bus version)

## Possible status information / error messages

- Battery error
- Smoke chamber pollution (forewarning)
- Smoke chamber pollution
- Test button failure
- Horn drive failure
- Removing detection
- Test alarm released
- Smoke alarm released
- Ingress apertures obstruction detected
- Object in the surroundind area detected
- LED failure



Dimensions

## ZENNER International GmbH & Co. KG

Heinrich-Barth-Straße 29 | 66115 Saarbrücken | Germany

Telefon +49 681 99 676-30 E-Mail info@zenner.com  
 Fax +49 681 99 676-3100 Internet www.zenner.com