

Wirnet™ iZeptoCell Ethernet

LoRaWAN® Indoor Gateway for the Internet of Things



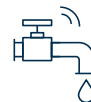
The “Wirnet™ iZeptoCell Ethernet” is the ideal gateway to support you in your smart city, smart building or every smart project that requests dedicated indoor coverage and/or network densification, providing both a unique superior LoRa® coverage and operational excellence with Ethernet backhaul.



Smart Cities



Smart Building



Smart Metering



Smart Retail



Kerlink is certified ISO9001: 2015 by AFNOR certification. The Quality Management System gives high priority to Customer satisfaction and progress implementation.



Key Features

- Indoor LoRa® Gateway,
- Supported unlicensed bands: 863-870MHz (EMEA, India), 902-928MHz (North America),
- Supported LoRaWAN® regional parameters: EU863-870, IN865-867, RU864-870, US902-928,
- 8 x 8 packets detectors, 8ch RX (125 kHz, multi Spreading Factor) + 1ch RX (250kHz or 500kHz, mono Spreading Factor) + 1ch RX (FSK) + 1ch TX,
- Backhaul : Ethernet 10BASE-T, 100BASE-TX,
- Powered through USB-A connector using:
 - AC/DC power supply (90-264VAC/5VDC), direct mounting (included accessory),
 - USB-A extension cable (included accessory),
 - USB-A to USB-C cable (optional accessory, not included),
 - PoE/USB power splitter (optional accessory, not included),
- Highly secured device relying on a hardware secure core.

Key Differentiators

High performance, reliability & robustness

- Semtech CoreCell Reference Design,
- Integrated LoRa antenna,
- Built-in high rejection filters,
- Low power consumption

Secure hardware and software architectures

- SecureBoot (Signed firmware),
- SecureStorage (keys and certificates in secured area) using ProvenCore™ solution,
- Secured links and backhaul protection (OpenVPN/IPsec),
- Reboot (watchdog) and recovery on previous Management config (or factory config if the boot issue is not fixed). config (or factory config if the boot issue is not fixed).

Easy deployment

- Easy installation: wall mounting by 1 oblong holes or by VELCRO strips or by double sided adhesive tape, or direct mounting on AC/DC supply or lay on a table,
- Easy access to connectivity:
 - Ethernet 10BASE-T, 100BASE-TX (RJ45 connector), allowing 150m reach with Cat5e cable
- 3 LEDs:
 - 1 LED (green/red) for Gateway status,
 - 1 LED (green/red) for Backhaul status,
 - 1 LED (green/red) for LoRa® RF activity (Uplink, Downlink),
- USB Type A connector for power supply,
- Integrated LoRa® antenna
- Reset button
- Simple and convenient configuration, management, control and update via the Kerlink Wanesy™ Management Center(Alarm notifications, Firmware upgrade, platform statistics, RF statistics, ...)
- Remotely configurable, manageable, via intuitive Web GUI
- Remote access via SSH

Technical Features

- LoRa® performance:
 - Rx Sensitivity: -140 dBm (SF12BW125),
 - Tx conducted power: configurable from 5dBm to 27dBm
 - Maximum EIRP: 28dBm
- Ethernet: IEEE 802.3 10BASE-T, 100BASE-TX,
- CPU: ARM Cortex A7 792MHz,
- DDRAM 256 MB,
- 4GB eMMC (2GB available for user)
- Power consumption: 1W nominal, 3.5W max
- Operating Temperature Range: 0°C +55°C (for gateway only, without power supply),
- Humidity: 5% to 95%,
- Size: 76 x 68.5 x 32 mm,
- Weight: 65g (gateway only); 250g (with packaging),
- Casing: IP30

Value-added Services

- **Free access to Kerlink Wiki for customers**
- Plug & Play installation,
- Wirnet™ iZeptoCell Cellular is part of the end-to-end LoRa® connectivity solution with Kerlink Wanesy™ Management Center, remote monitoring and Operations Management suite (option),
- Maintenance Services (option),
- Kerlink Project Management: Kerlink supports you throughout your project by responding to your specific needs through its service offering and network of specialist integrators available worldwide (option).

Thanks to their expertise and experience, Kerlink teams are fully mobilized to help you develop your business and reduce your operational and commercial risks.

Don't hesitate to contact us:

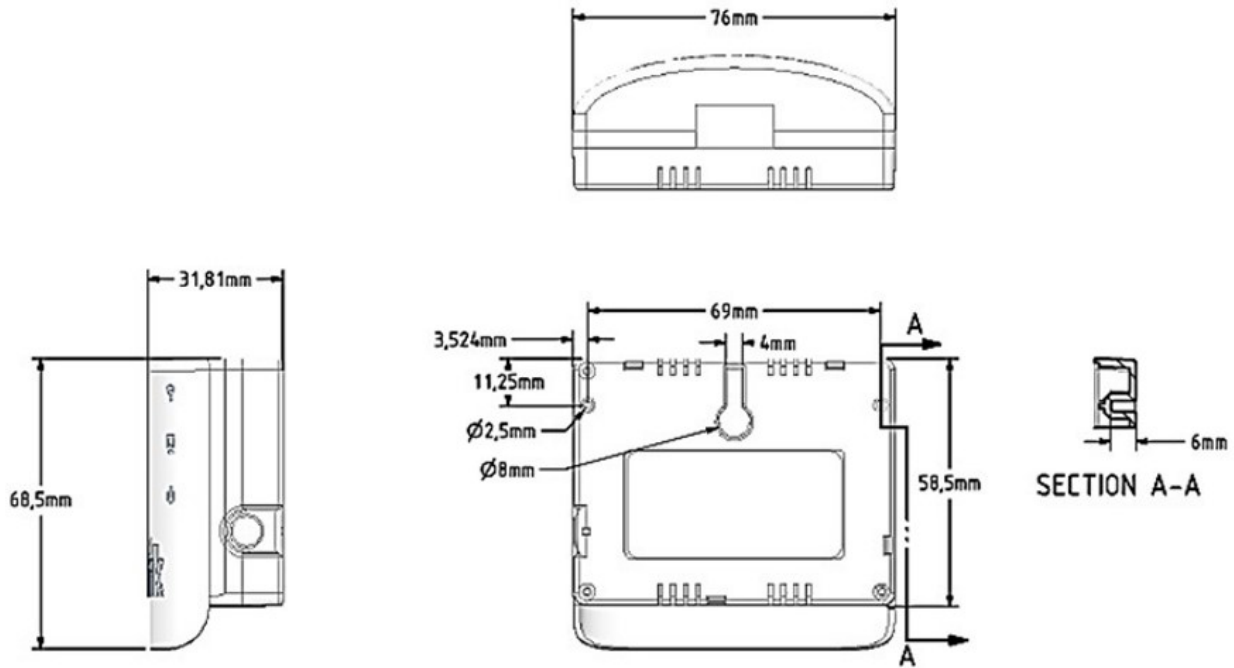
All product specifications are subject to change without notice (V1.2)

Software Features

- **Same Software than Wirnet™ iBTS, Wirnet™ iStation, Wirnet™ iFemtoCell and Wirnet™ iFemtoCell-evolution:** same User experience, quicker integration,
- **Dynamic web interface (On-the fly modifications),**
- **Programmable Gateway:** Toolchain, libraries and header files for compilation of homemade applications, or extra packages additions,
- **Including:**
 - Operating System: KerOS with embedded GNU/Linux based on Yocto 3.1.7 and LTS kernel 5.4,
 - Native Language Support: Python3, C/C++ and Shell,
 - Included packages: SQLite (Database), Connman/Ofono, NTPd, lighttpd.

kerlink
communication is everything

sales@kerlink.com
+ 33 2 99 12 29 00
1 rue Jacqueline Auriol
35235 Thorigné-Fouillard
France



Certifications

868

- Europe (CE)

915

- USA (FCC)
- Canada (ISED)

(For any specific need, please contact us)

Wirnet™ iZeptoCell Ethernet - Ordering references

Product Ordering References

Reference	Designation	Description	ISM Frequencies
PDTIOT-IZEE800	Wirnet iZeptoCell Ethernet	8CH LoRa, Indoor, ETH backhaul	863-870 MHz
PDTIOT-IZEE900	Wirnet iZeptoCell Ethernet	8CH LoRa, Indoor, ETH backhaul	902-928 MHz

868 Accessory Ordering References (Wirnet™ iZeptoCell)

Power connectivity	Designation	Description
KLK03566	PoE Splitter with USB A output	
KLK03537	2,8m USB C to USB A extension cable	
Spares		
KLK03531	AC-DC Power Supply 5V – 5W	Spare
KLK03535	2,8m Ethernet cable	Spare
KLK03536	2,8m USB A extension cable	Spare

915 Accessory Ordering References (Wirnet™ iZeptoCell)

Power connectivity	Designation	Description
KLK03566	PoE Splitter with USB A output	
KLK03537	2,8m USB C to USB A extension cable	
Spares		
KLK03531	AC-DC Power Supply 5V – 5W	Spare
KLK03535	2,8m Ethernet cable	Spare
KLK03536	2,8m USB A extension cable	Spare

923 Accessory Ordering References (Wirnet™ iZeptoCell)

Power connectivity	Designation	Description
KLK03566	PoE Splitter with USB A output	
KLK03537	2,8m USB C to USB A extension cable	
Spares		
KLK03531	AC-DC Power Supply 5V – 5W	Spare
KLK03535	2,8m Ethernet cable	Spare
KLK03536	2,8m USB A extension cable	Spare