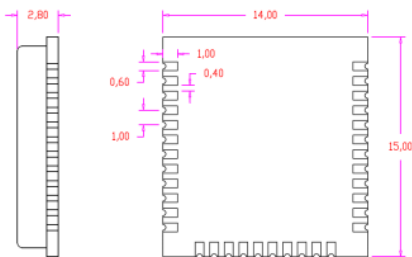


# LSM100A

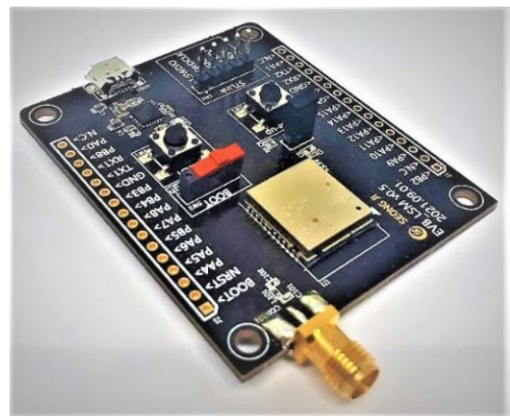
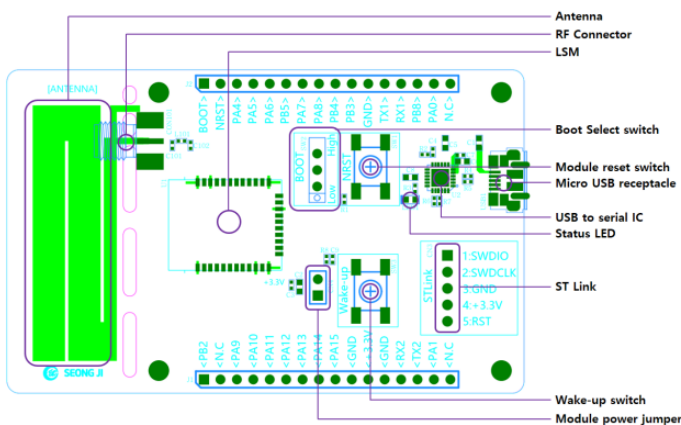
## Sigfox & LoRaWAN Together

### Key Features

1. Sigfox & LoRaWAN Together
2. AT Version & API Version
3. Very Low Power consumption
4. AT command to convert Sigfox to LoRa or Vice Versa
5. Frequency Range : Sigfox : RC1, LoRa : 863~928MHz4.
6. Dimension : 14.0(W) x15.0(L) x 2.8(H) mm
7. CE & LoRaWAN & Sigfox Verified Certification



### Evaluation Kit



- On-line Support & Sales : [support.seongji.co.kr](http://support.seongji.co.kr)